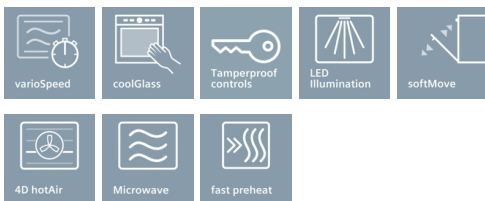


iQ700 Compact oven with microwave CM633GBS1, Stainless steel



The compact oven with a height of 45 cm with integrated microwave function – the fastest way to achieve perfect baking and roasting results.

- ✓ varioSpeed: reduce cooking times by up to 50%.
- ✓ TFT Display: good readability from any perspective.
- ✓ cookControl Plus: guaranteed success for numerous dishes.
- ✓ softMove: gentle opening and closing of the oven door.
- ✓ LED-Illumination: optimum, energy-efficient illumination.

Features

Technical Data

Type of micro-wave oven : MW-Combi
 Type of control : Electronic
 Color / Material Front : Stainless steel
 Dimensions of the product (mm) : 455 x 594 x 548
 Cavity dimensions (mm) : 237.0 x 480 x 392.0
 Length electrical supply cord (cm) : 150
 Net weight (kg) : 36.0
 Gross weight (kg) : 38.0
 Maximum micro-wave power (W) : 900
 Number of Power Levels : 5
 Turntable : No
 Heating type : 4D hot air, Combi microwave constant, Full width grill, Half width grill, Hot Air-Eco, Hot air grilling, Microwave, pre-heating
 Cavity material : Enamelled steel
 Door opening : Handle
 Clock : Yes
 Included accessories : 1 x combination grid, 1 x universal pan
 Main colour of product : Stainless steel
 Height of the product (mm) : 455
 Width of the product (mm) : 594
 Depth of the product : 548
 Maximum micro-wave power (W) : 900
 Connection Rating (W) : 3600
 Current (A) : 16
 Voltage (V) : 220-240
 Frequency (Hz) : 50; 60
 Plug type : Gardy plug w/ earthing
 Color / Material Front : Stainless steel
 Approval certificates : CE, VDE
 Required cutout/niche size for installation (in) : x x
 Appliance Dimensions (h x w x d) (in) : x x
 Dimensions of the packed product (in) : 21.25 x 25.98 x 26.77
 Net weight (lbs) : 79
 Gross weight (lbs) : 85

Included accessories

- 1 x combination grid
- 1 x universal pan



iQ700

Compact oven with microwave

CM633GBS1, Stainless steel

Features

Type of oven / heating system:

- Compact oven with microwave with 6 heating methods: 4D hot air, Hot Air-Eco, Hot air grilling, Full width grill, Half width grill, Plate warming setting
- Additional heating methods with microwave: Microwave, Combi microwave constant
- Temperature range 30 °C - 275 °C
- Max. Power: 1000 W; 5 Microwave power settings (90 W, 180 W, 360 W, 600 W, 1000 W) with Inverter (MW)
- Cavity volume: 45 l

Design:

- Rotary Control
- Cavity inner surface: Enamel anthracite

Comfort:

- Temperature proposal
Actual temperature display
heating-up control
automatic programs
- bottom, soft closing, soft opening
- Supporting systems: Programs
- Number of automatic programmes: 14 PC
- electronic clock
- Rapid heating-up
- LED light, Independent oven interior light button
- Integral cooling fan
- Stainless-steel fan
- Info button
- Bar handle

Hook-in racks / rails

- Cavity with shelf support rails, Telescopic slide-out Not available

Accessory:

- 1 x combination grid, 1 x universal pan

Environment and Safety:

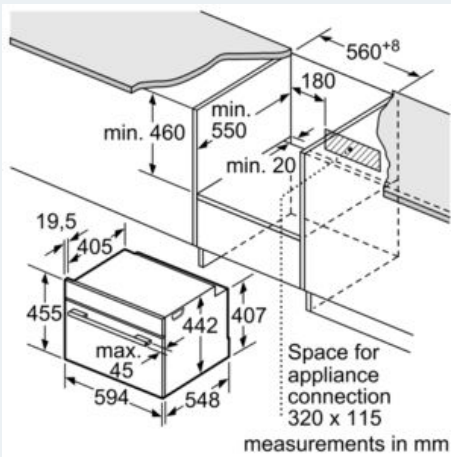
- Maximum window temperature 30° C
- Child safety button
Automatic safety switch off
Residual heat indicator
start button
Door contact switch

Technical Info:

- Length of mains cable: 120 cm
- Total connected load electric: 3.65 KW
- Appliance dimension (hxwx): 455 mm x 595 mm x 548 mm

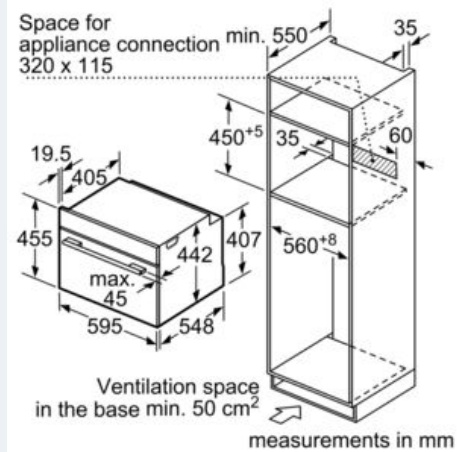
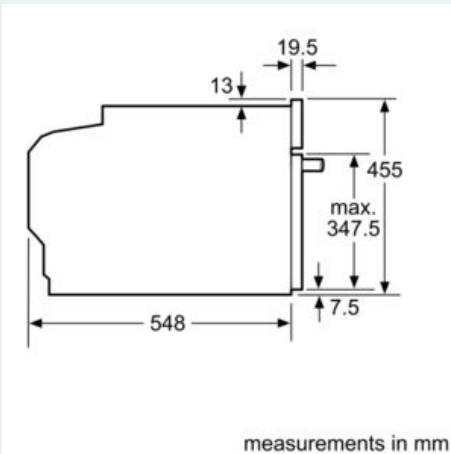
iQ700 Compact oven with microwave CM633GBS1, Stainless steel

Dimensioned drawings



If the compact appliance will be installed underneath a hob, the following worktop thicknesses (including substructure if necessary) must be taken into account.

Hob type	min. worktop thickness	
	fitted	flush
Induction hob	42 mm	43 mm
Full surface Induction hob	52 mm	53 mm
Gas hob	32 mm	43 mm
Electric hob	32 mm	35 mm



Installation with a hob.

